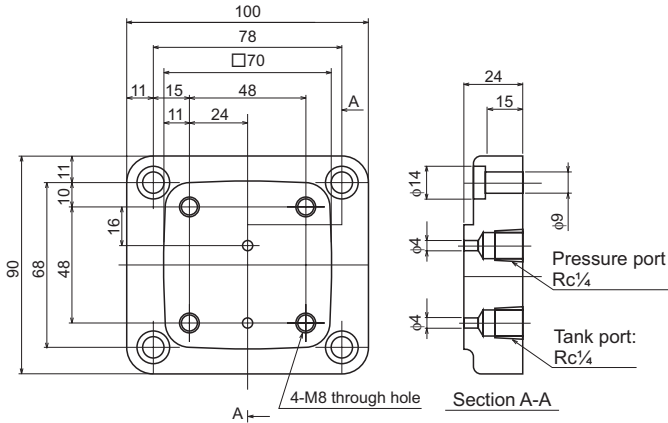


Sub-plate

External dimension diagram

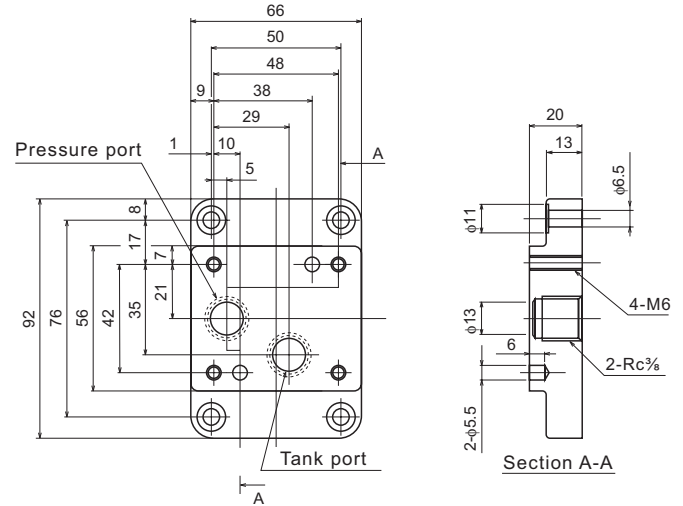
JR-02M

Maximum operating pressure: 21 MPa {210 kgf/cm²}



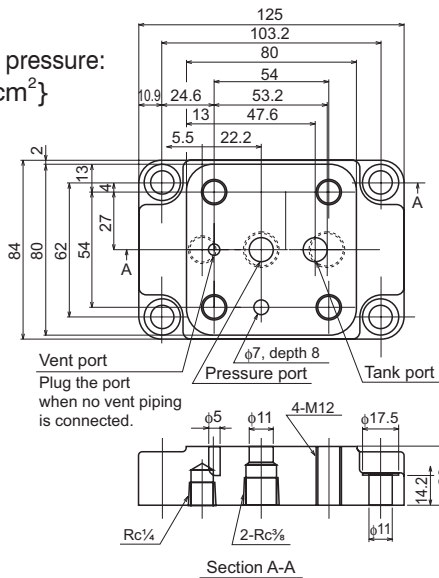
SR-03M

Maximum operating pressure: 7 MPa {70 kgf/cm²}



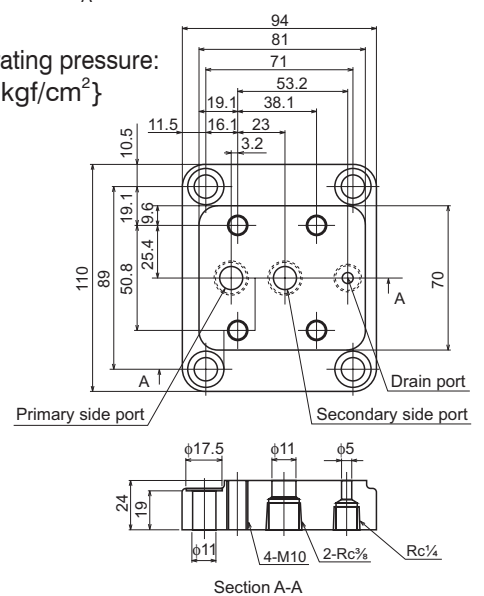
HDRI-03M

Maximum operating pressure: 21 MPa {210 kgf/cm²}



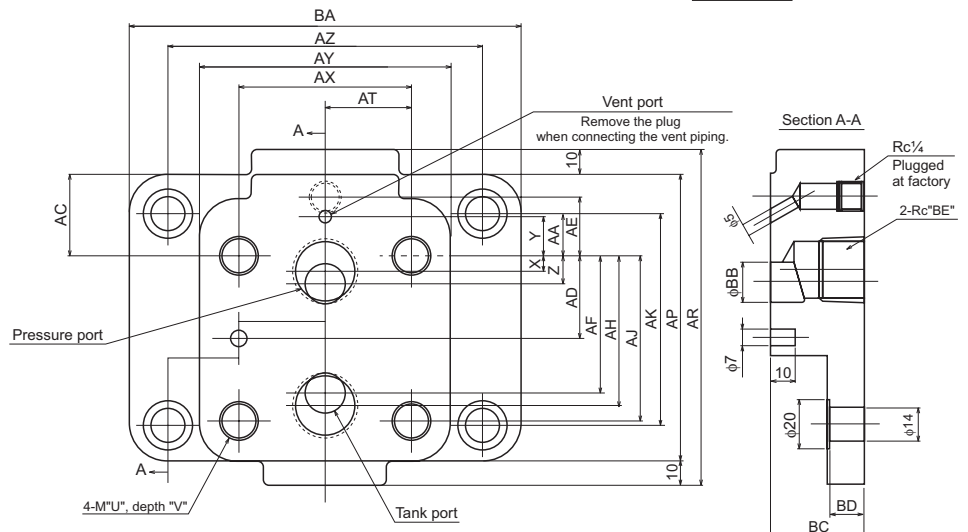
SGB-03M

Maximum operating pressure: 14 MPa {140 kgf/cm²}



JRB-***M***

Maximum operating pressure: 21 MPa {210 kgf/cm²}



Model code	U	V	X	Y	Z	AA	AC	AD	AE	AF	AH	AJ	AK	AP	AR	AT	AX	AY	AZ	BA	BB	BC	BD	BE
JRB-06M	16	38	11.1	23.8	11.1	17	33	33.3	23.8	55.5	55.5	66.7	85.7	116	136	34.9	69.8	102	127	159	23	38	14	3/4
JRB-10M	18	36	12.7	31.8	12.7	25.4	43.1	44.5	31.8	76.2	76.2	88.9	114.3	152	172	41.3	82.5	120	146	184	30	42	21	1 1/4
JRB-06M08	16	38	11.1	23.8	11.1	17	33	33.3	32	55.5	64	66.7	85.7	116	136	34.9	69.8	102	127	159	23	38	14	1
JRB-10M12	18	36	7	31.8	12.7	25.4	43.1	44.5	42	76.2	76.2	88.9	114.3	152	172	41.3	82.5	120	146	184	30	42	21	1 1/2

Contact Details

Before using the product, please check the guide pages at the front of this catalog.

Internet

<http://www.daikinpmc.com/en/>

For latest information, PDF catalogs and operation manuals

External dimension diagram

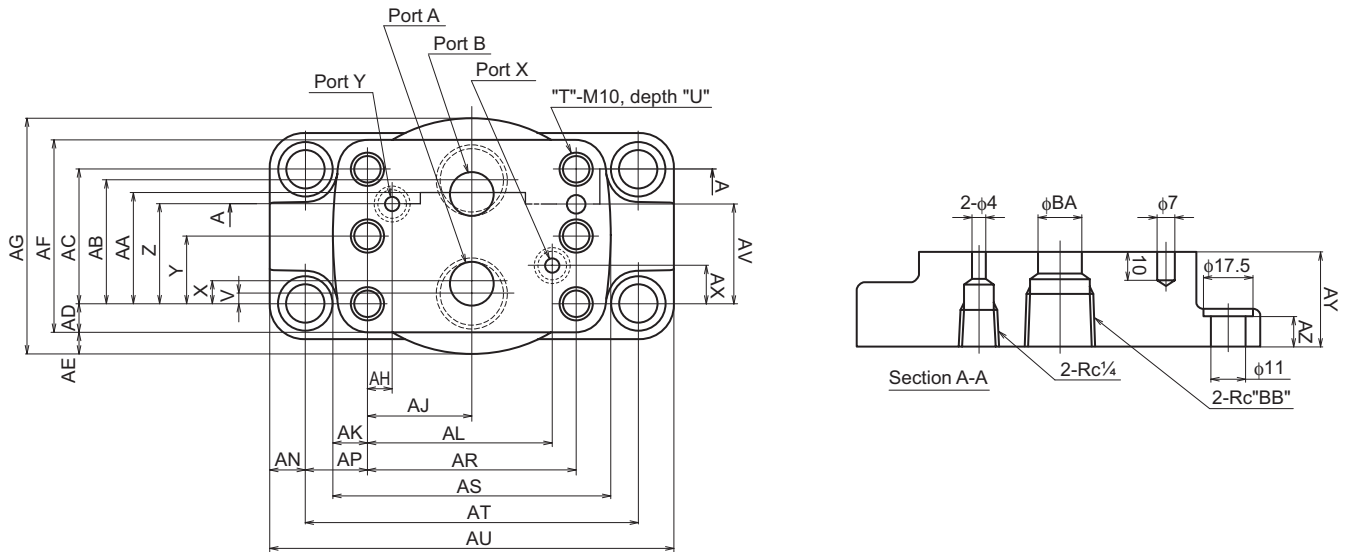
JGB-***M**

Maximum operating pressure: JGB-03M: 25 MPa {250 kgf/cm²}, JGB-06M: 21 MPa {210 kgf/cm²}, JGB-10M: 21 MPa {210 kgf/cm²}

Note: Take care about how to use each port because it varies depending on the model of valve used.

Device/port comparison table

Port name	JQ(C)-G**	JGB(C)-G**	C2SL(T)-G**	C2SW-G**	C2R(L)*-G**	C2GL*-G**
Port A	Inlet port	Inlet port	Port A	Port A	Pressure port	Secondary side port
Port B	Outlet port	Outlet port	Port B	Port B	Tank port	Primary side port
Port X	External pilot port	Drain port	Unusable	Unusable	External pilot port	Vent port
Port Y	External drain port	Unusable	Unusable	External drain port	External drain port	External drain port



Model code	T	U	V	X	Y	Z	AA	AB	AC	AD	AE	AF	AG	AH	AJ	AK	AL
JGB-03M	4	20	3.5	7.2	-	21.5	35.8	39.5	42.9	9.6	7	62	76	7.9	33.4	10.7	58.8
JGB-06M	4	25	3.7	11.1	-	39.7	49.2	56.7	60.3	10.9	14	82	110	6.4	39.7	11.3	73
JGB-10M	6	25	4.1	16.7	42.1	59.5	67.5	80.1	84.2	9	24	102	150	3.9	48.4	12.6	92.9

Model code	AN	AP	AR	AS	AT	AU	AV	AX	AY	AZ	BA	BB
JGB-03M	10.8	19.9	66.7	88	106.5	128	31.8	21.5	30	10	14	3/8
JGB-06M	11	22.2	79.4	102	123.8	146	44.5	20.6	40	15	22	3/4
JGB-10M	11	20.6	96.8	122	138	160	62.7	24.6	53	15	30	1 1/4

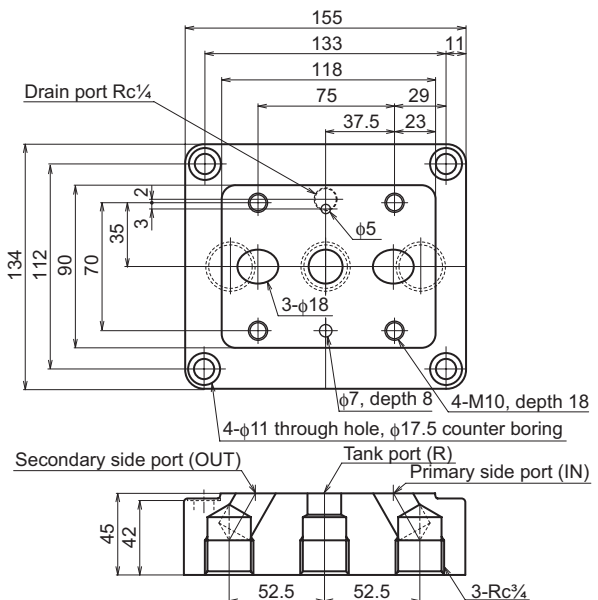
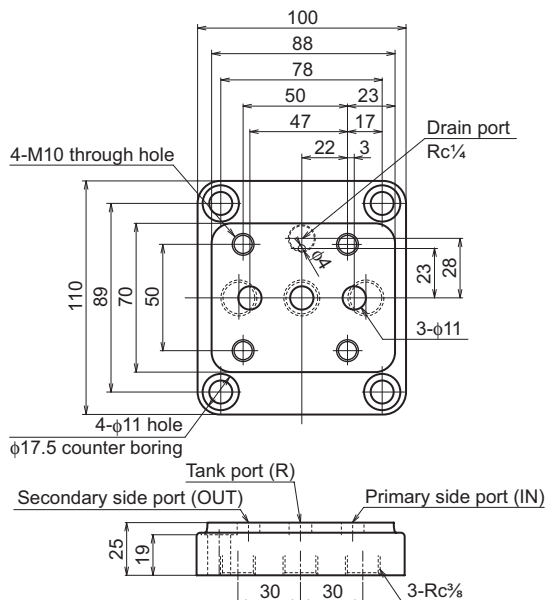
Model code	BB
JGB-03M04	1/2
JGB-06M08	1
JGB-10M12	1 1/2

SGR-03M

Maximum operating pressure 10.5 MPa {105 kgf/cm²}

SGR-06M-10

Maximum operating pressure 17.5 MPa {175 kgf/cm²}



Contact Details

Before using the product, please check the guide pages at the front of this catalog.

Internet

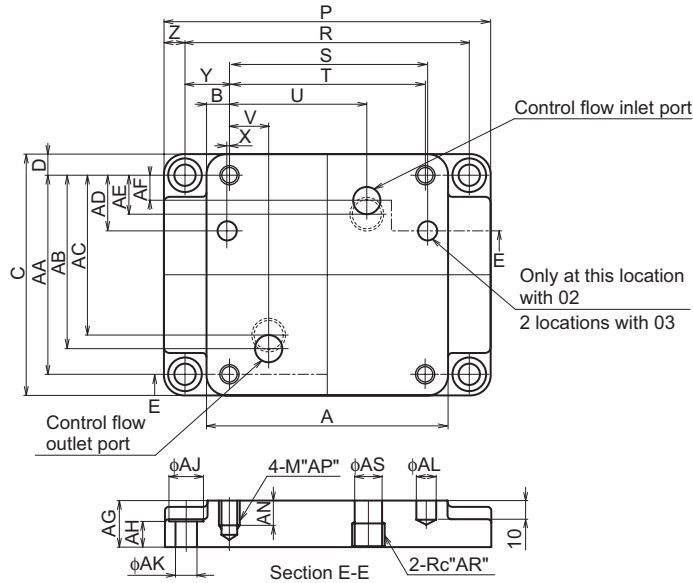
<http://www.daikinpmc.com/en/>

For latest information, PDF catalogs and operation manuals

External dimension diagram

JF-※※M※※

Maximum operating pressure 21 MPa {210 kgf/cm²}



Model code	A	B	C	D	P	R	S	T	U	V
JF-02M03	95.3	9.5	101.6	9.5	133.4	114.3	79.5	76.2	53.8	9.7
JF-02M04	95.3	9.5	101.6	9.5	133.4	114.3	79.5	76.2	53.8	9.7
JF-03M	124	11.2	124	11.2	168	146	102.4	101.6	71.4	20.6
JF-03M06	124	11.2	124	11.2	168	146	102.4	101.6	74.9※	20.6
JF-03M08	124	11.2	124	11.2	168	146	102.4	101.6	74.9※	20.6

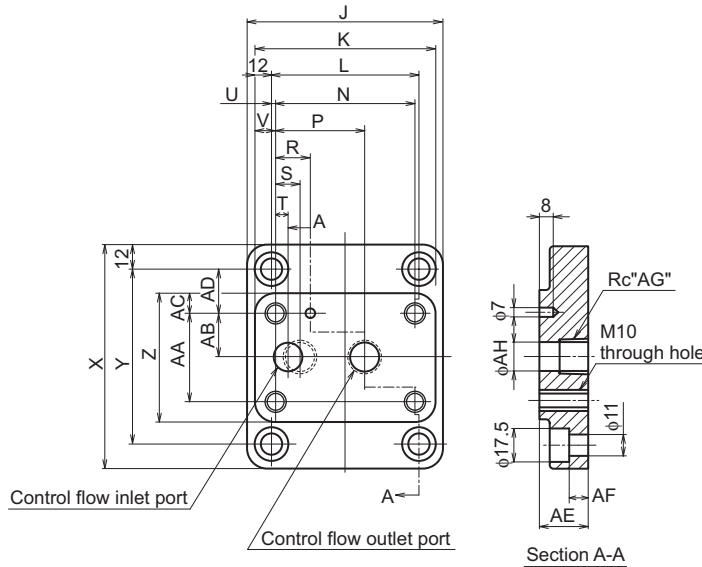
Model code	X	Y	Z	AA	AB	AC	AD	AE	AF	AG
JF-02M03	—	19.1	9.6	82.6	52.4	52.4	23.9	11.2	11.2	24
JF-02M04	—	19.1	9.6	82.6	52.4	52.4	23.9	11.2	11.2	24
JF-03M	0.8	22.2	11	101.6	88.9	88.9	28.6	12.7	12.7	24
JF-03M06	0.8	22.2	11	101.6	86.6	86.6	28.4	11.2	11.2	24
JF-03M08	0.8	22.2	11	101.6	86.6	80.3	28.4	17.5	11.2	38.1

Model code	AH	AJ	AK	AL	AN	AP	AR	AS
JF-02M03	12	14	9	8	Through hole	8	⅝	14.3
JF-02M04	12	14	9	8	Through hole	8	⅝	17.5
JF-03M	13	17.5	11	10	Through hole	10	⅝	14.3
JF-03M06	13	17.5	11	7	Through hole	10	⅜	23※
JF-03M08	13	17.5	11	7	20	10	1	23※

Note: See the dimensions marked with an asterisk (※) for the mounting dimensions of JF(C)-G03.

HDFT-03M, HDFT-06M

Maximum operating pressure 21 MPa {210 kgf/cm²}

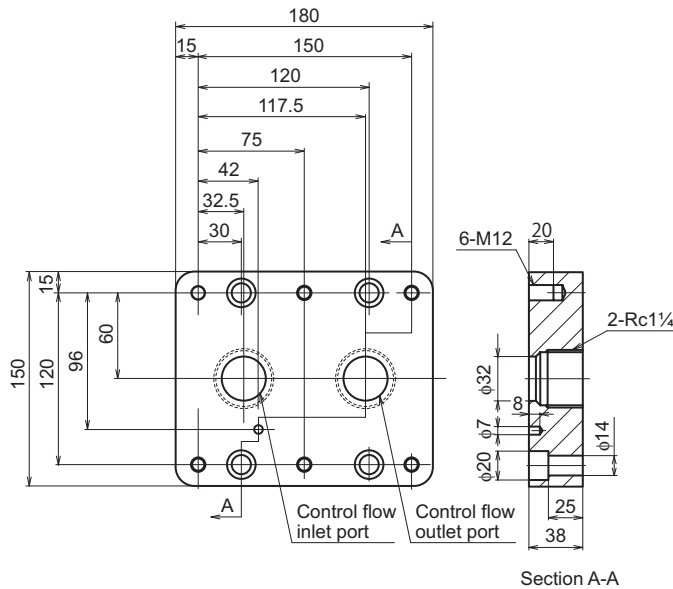


Model code	J	K	L	N	P	R	S	T	U	V	X
HDFT-03M	98	90	74	70	45	17	7	7	2	10	112
HDFT-06M	120	112	96	90	62	30	17	12	3	11	120

Model code	Y	Z	AA	AB	AC	AD	AE	AF	AG	AH
HDFT-03M	88	64	44	22	10	22	24	9	⅝	14.5
HDFT-06M	96	68	46	23	11	25	30	16.2	⅜	20

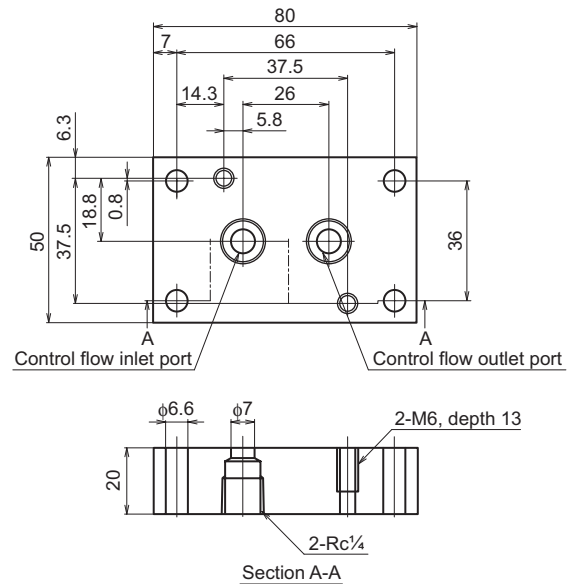
HDFT-10M

Maximum operating pressure 21 MPa {210 kgf/cm²}



SF-02M

Maximum operating pressure 7 MPa {70 kgf/cm²}



Contact Details

Before using the product, please check the guide pages at the front of this catalog.

Internet

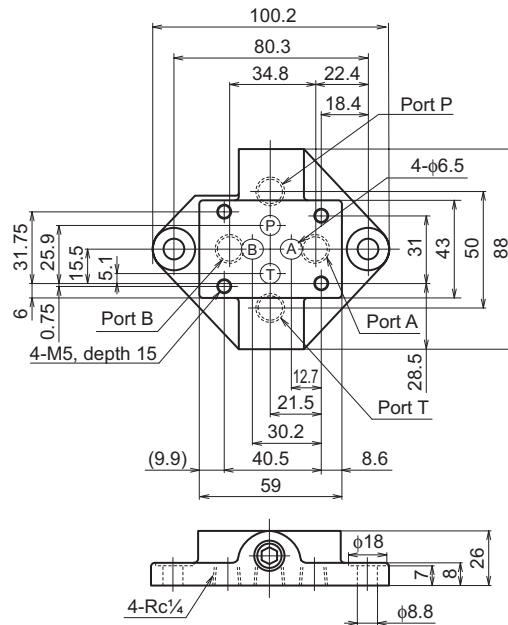
<http://www.daikinpmc.com/en/>

For latest information, PDF catalogs and operation manuals

External dimension diagram

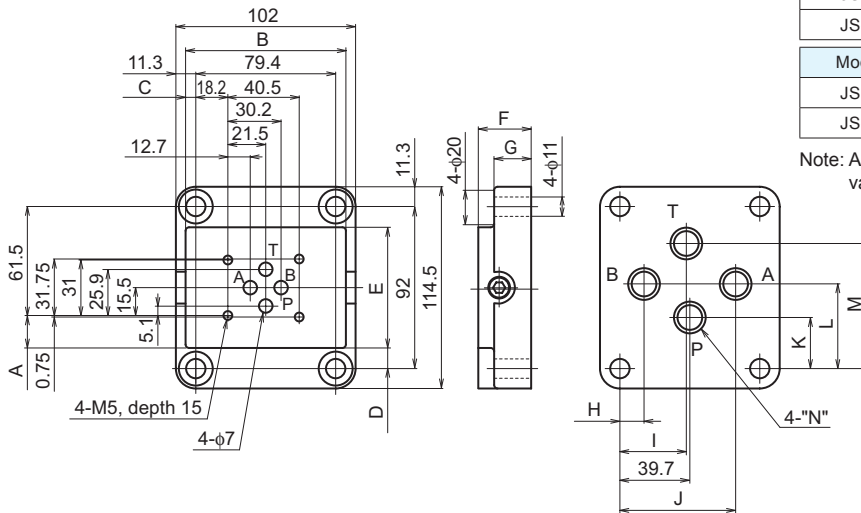
JS-01M02

Maximum operating pressure 21 MPa {210 kgf/cm²}



JS-02M03, JS-02M04

Maximum operating pressure 21 MPa {210 kgf/cm²}



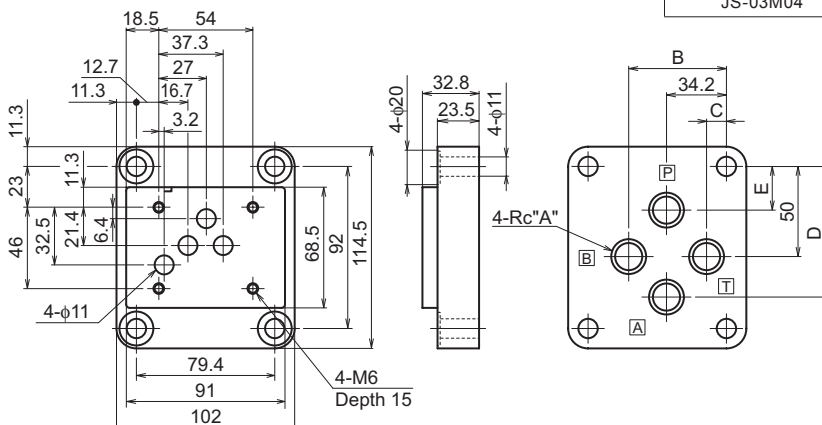
Model code	A	B	C	D	E	F	G
JS-02M03	18.8	91	5.8	11.7	68.5	30	20.7
JS-02M04	-	-	-	-	-	35	20

Model code	H	I	J	K	L	M	N
JS-02M03	13.7	37.7	65.7	29	48	71	Rc3/8
JS-02M04	9.7	39.7	69.7	27.5	46	64.5	G1/2

Note: As for the appearance, JS-02M03 has a step on the valve mounting face and JS-02M04 does not.

JS-03M, JS-03M04

Maximum operating pressure 21 MPa {210 kgf/cm²}



Model code	A	B	C	D	E
JS-03M	3/8	55.6	11.1	73.0	23.8
JS-03M04	1/2	56.7	9.7	76.0	22.5

Contact Details

Before using the product, please check the guide pages at the front of this catalog.

Internet

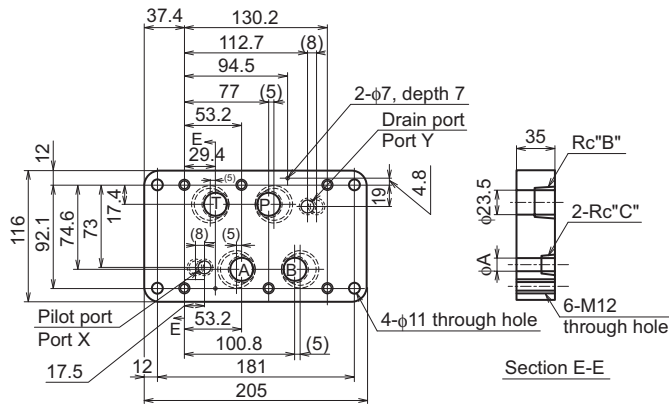
<http://www.daikinpmc.com/en/>

For latest information, PDF catalogs and operation manuals

External dimension diagram

JS-06M, JS-06M08

Maximum operating pressure 25 MPa {250 kgf/cm²}

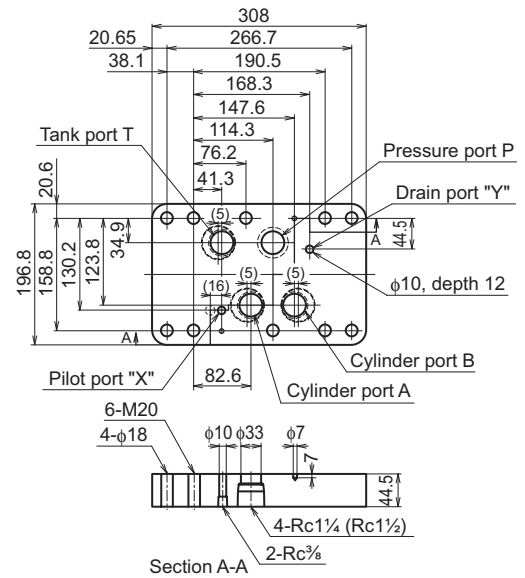


Dimensions in parentheses are for JS-06M08.

Model code	A	B	C
JS-06M	11	¾	¼
JS-06M08	16	1	¼

JS-10M, JS-10M12

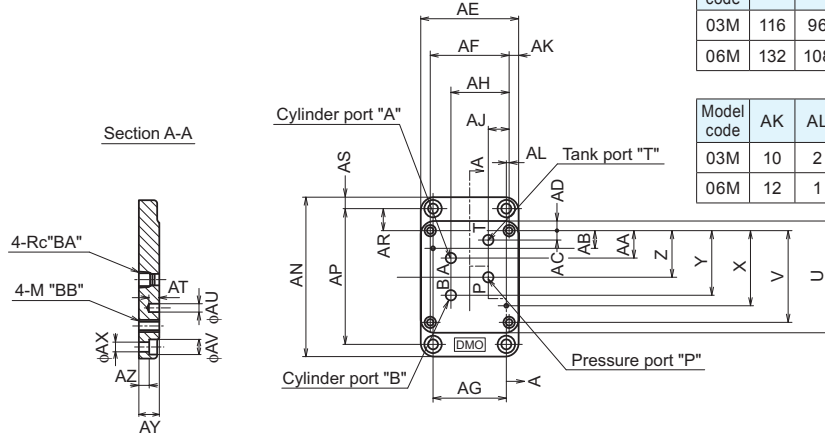
Maximum operating pressure 25 MPa {250 kgf/cm²}



Dimensions in parentheses are for JS-10M12.

DMO-03M, DMO-06M

Maximum operating pressure 14 MPa {140 kgf/cm²}

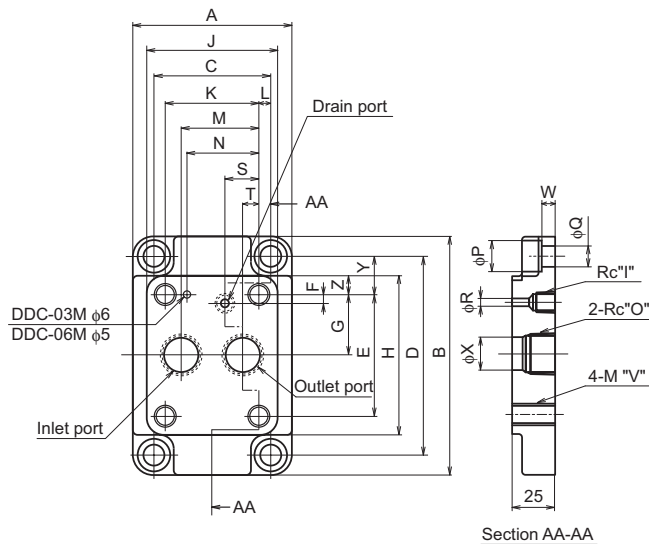


Model code	U	V	X	Y	Z	AA	AB	AC	AD	AE	AF	AG	AH	AJ
03M	116	96	78	67	48	29	18	10	10	104	84	80	62	22
06M	132	108	84	76.5	59	31.5	24	14	12	124	100	98	77.5	22.5

Model code	AK	AL	AN	AP	AR	AS	AT	AU	AV	AX	AY	AZ	BA	BB
03M	10	2	164	140	22	12	10	6.5	17.5	11	20	7.2	¾	10
06M	12	1	186	160	26	13	10	6.5	20	13	23	7	¾	12

DDC-03M, DDC-06M

Maximum operating pressure 14 MPa {140 kgf/cm²}



Model code	A	B	C	D	E	F	G	H	I	J	K	L	M
DDC-03M	90	120	68	98	70	12	35	90	¾	60	40	14	34
DDC-06M	100	150	74	123	76	5	38	100	¼	82	58	8	48

Model code	N	O	P	Q	R	S	T	V	W	X	Y	Z
DDC-03M	28	¾	17.5	11	4	20	6	8	12	14	14	10
DDC-06M	45	¾	20	14	4.8	21	10	12	9	22	23.5	12

Contact Details

Before using the product, please check the guide pages at the front of this catalog.

Internet

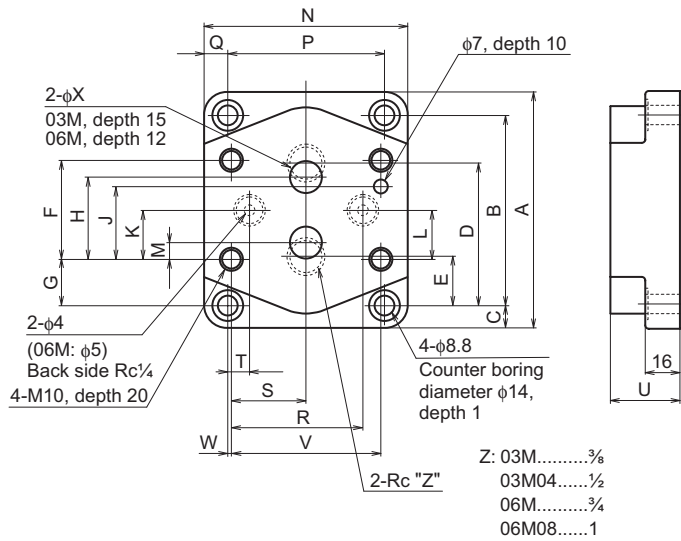
<http://www.daikinpmc.com/en/>

For latest information, PDF catalogs and operation manuals

External dimension diagram

JCP-03M(04), JCP-06M(08)

Maximum operating pressure 25 MPa {250 kgf/cm²}

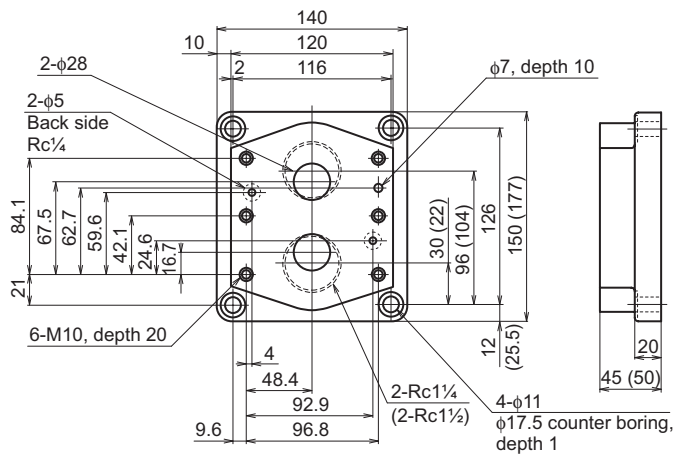


Model code	A	B	C	D	E	F	G	H	J	K	L
JCP-03M	102	82	10	61	21	42.8	19.5	35.7	31.8	21.4	21.4
JCP-03M04	102	82	10	61	21	42.8	19.5	35.7	31.8	21.4	21.4
JCP-06M	124	104	10	77	27	60.3	22	49.2	44.5	39.7	20.8
JCP-06M08	136	104	16	82.3	22	60.3	22	49.2	44.5	39.7	20.8

Model code	M	N	P	Q	R	S	T	U	V	W	X
JCP-03M	7.1	90	70	10	58.7	33.3	7.9	32	66.7	1.7	13
JCP-03M04	7.1	90	70	10	58.7	33.3	7.9	32	66.7	1.7	13
JCP-06M	11.1	102	79.4	11.3	73	39.7	6.4	36	79.4	0	22
JCP-06M08	11.1	102	79.4	11.3	73	39.7	6.4	45	79.4	0	22

JCP-10M(12)

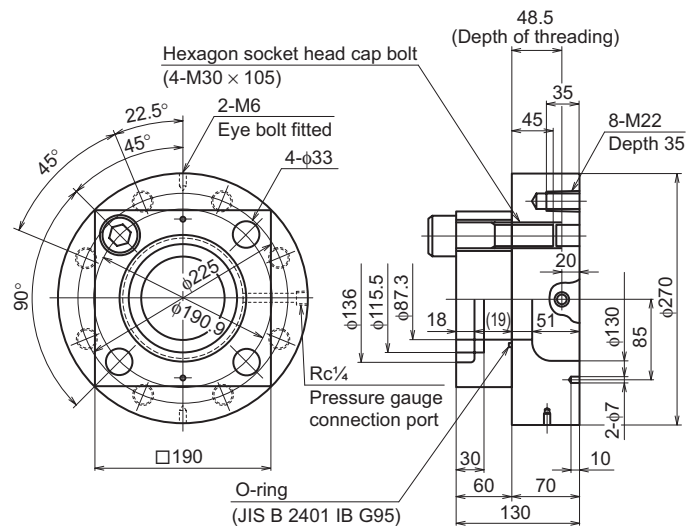
Maximum operating pressure 25 MPa {250 kgf/cm²}



Dimensions in parentheses are for JCP-10M12.

HPF-32M

Maximum operating pressure 25 MPa {250 kgf/cm²}



Recommended tightening torque table

Nominal diameter	Tightening torque N·m {kgf·cm}
Rc1/4	25 to 27.5 { 250 to 275}
Rc3/8	43 to 47.5 { 430 to 475}
Rc1/2	64 to 70 { 640 to 700}
Rc3/4	110 to 120 {1100 to 1200}
Rc1	155 to 170 {1550 to 1700}
Rc1 1/4	198 to 220 {1980 to 2200}
Rc1 1/2	253 to 280 {2530 to 2800}