

## Contact Details

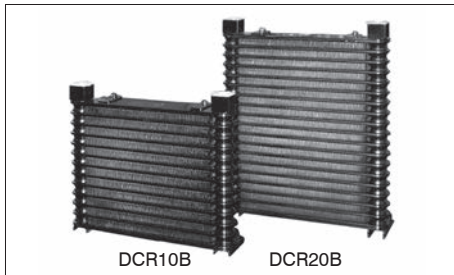
Before using the product, please check the guide pages at the front of this catalog.

Internet

<http://www.daikinpmc.com/en/>

For latest information, PDF catalogs and operation manuals

# Oil Cooler (for Cooling Pump Drainage)



## Nomenclature

**DCR** × × **B** - **10**

1

2

3

4

### 1 Model No.

DCR: Oil cooler (for cooling pump drainage)

### 2 Cooler capacity

10: Type 10  
20: Type 20

### 3 Piping port \*1

B: connection port Rc<sup>3</sup>/<sub>8</sub>

### 4 Design No. (The design No. is subject to change.)

Note: \*1 The NDR08 and NDR15 series rotor packs use dedicated oil coolers which have different piping port shapes from other oil coolers.

## Specifications

Oil usable	Petroleum-based hydraulic fluid
Oil temperature	0 to 90°C
Atmosphere	Inside factory
Operating temperature range	0 to 40°C
Operating humidity range	20 to 85%RH (no condensation)
Passing flow rate L/min	4 maximum
Maximum operating pressure MPa {kgf/cm <sup>2</sup> }	0.1 {1}
Power supply voltage	1-phase AC 200 V (50 Hz), AC 200 V (60 Hz), AC 220 V (60 Hz)
Permissible voltage fluctuation	90 to 110%

## Fan motor electrical rating

Model code	Voltage V	Frequency Hz	Operating current A	Input W	Locked current A	Starting current A	Coil and protection type	Lead wire
DCR10B-10	200	50	0.120	16.0	0.170	0.170	Shading coil type (with impedance protector)	Heat resisting flat two-core vinyl cable • Length: 1 m • External dimensions: 5.4 × 2.7 mm • Wire diameter: 0.75 mm <sup>2</sup>
	200	60	0.110	15.0	0.150	0.150		
	220	60	0.100	17.6	0.180	0.180		
DCR20B-10	200	50	0.260	36.0	0.350	0.350	Shading coil type (with thermal protector)	• Length: 1 m • Wire diameter: AWG22 (equivalent to 0.3 mm <sup>2</sup> ) • Sheath: PVC tube No. 4
	200	60	0.220	31.0	0.310	0.310		
	220	60	0.239	39.1	0.330	0.330		

Note: Install a 0.5 A circuit breaker to prevent damage at short-circuiting.

## Contact Details

Before using the product, please check the guide pages at the front of this catalog.

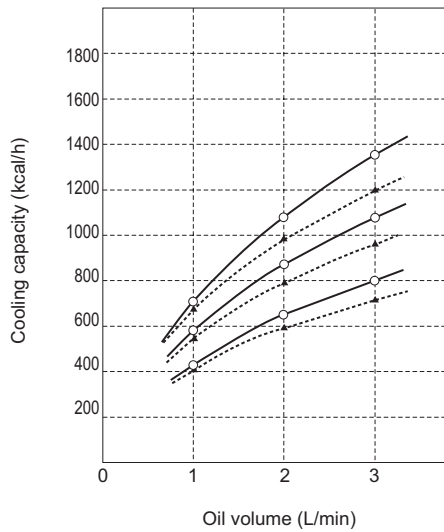
Internet

<http://www.daikinpmc.com/en/>

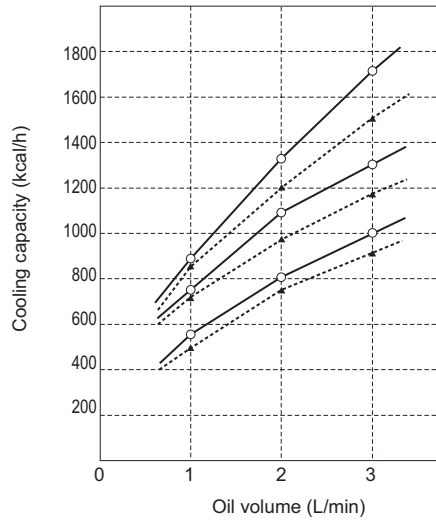
For latest information, PDF catalogs and operation manuals

## Oil cooler performance curves

DCR10B-10



DCR20B-10



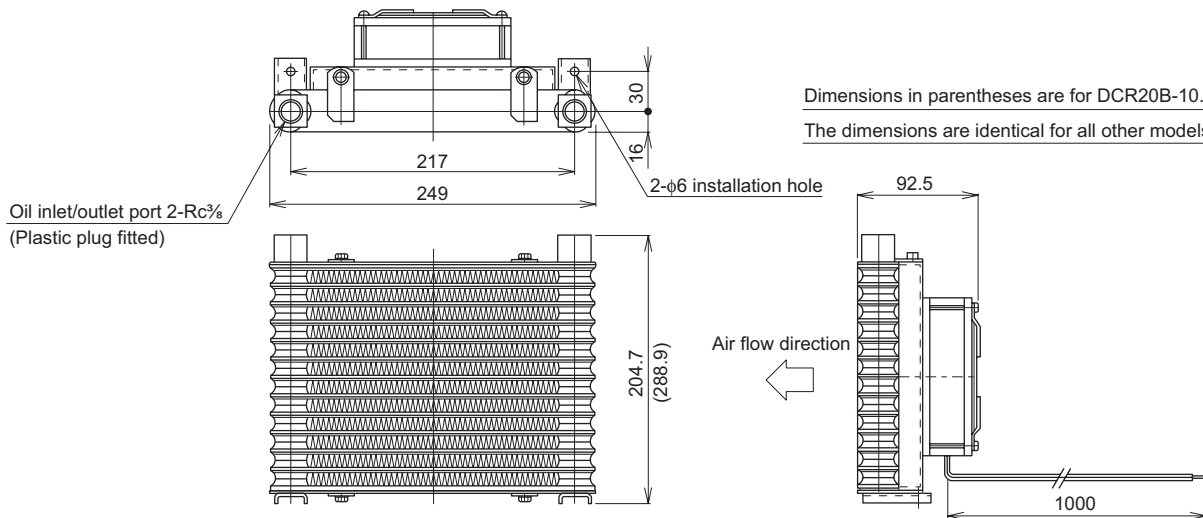
The lines in the graph have the following meanings.

- : 60 Hz
- ▲—▲ : 50 Hz

Top: 50°C } Difference between room temperature and inlet oil temperature  
 Middle: 40°C }  
 Bottom: 30°C }

## External dimension diagram

DCR10B-10  
DCR20B-10



### Notes on handling

In the piping work, tighten Rc $\frac{3}{8}$  taper threads at a tightening torque of 28.5 to 33 N·m while holding the square boss still with a spanner.