

Contact Details

Before using the product, please check the guide pages at the front of this catalog.

Internet

<http://www.daikinpmc.com/en/>

For latest information, PDF catalogs and operation manuals

Multi-step Signal Controller



Features

- Combining this controller with a driver for solenoid operated proportional valves enables setting of multi-step command input voltages.
- 6-step output voltage levels and the response time to reach these voltage levels can be set.
- Switching among the steps can be easily achieved with an external relay contact circuit or a PLC.
- Voltage input is also possible.

Nomenclature

KMT-6 - **10**

1

2

1 Model No.

KMT-6: 6-channel multi-step signal controller (for AC power supply)

2 Design No. (The design No. is subject to change)

Specifications

Power supply voltage	AC 100, 200 V (Common for 50 and 60 Hz)
Permissible voltage fluctuation	-10 to +10%
Signal for switching steps	Shorting the common (DC 24 V) of the switching signal and the switching terminal of each step with a relay contact or open collector output
Input current for switching steps	10 mA
External input voltage *1	DC 0 to 5 V (10 V also possible by removing jumper wire (JP6) inside the controller)
Output	DC 0 to 5 V
Power consumption	3 W maximum
Response time adjustment range	0.1 to 3.5 seconds (time to reach 95% of the set voltage)
Operating ambient temperature	0 to 55°C
Operating ambient humidity	25 to 90%RH

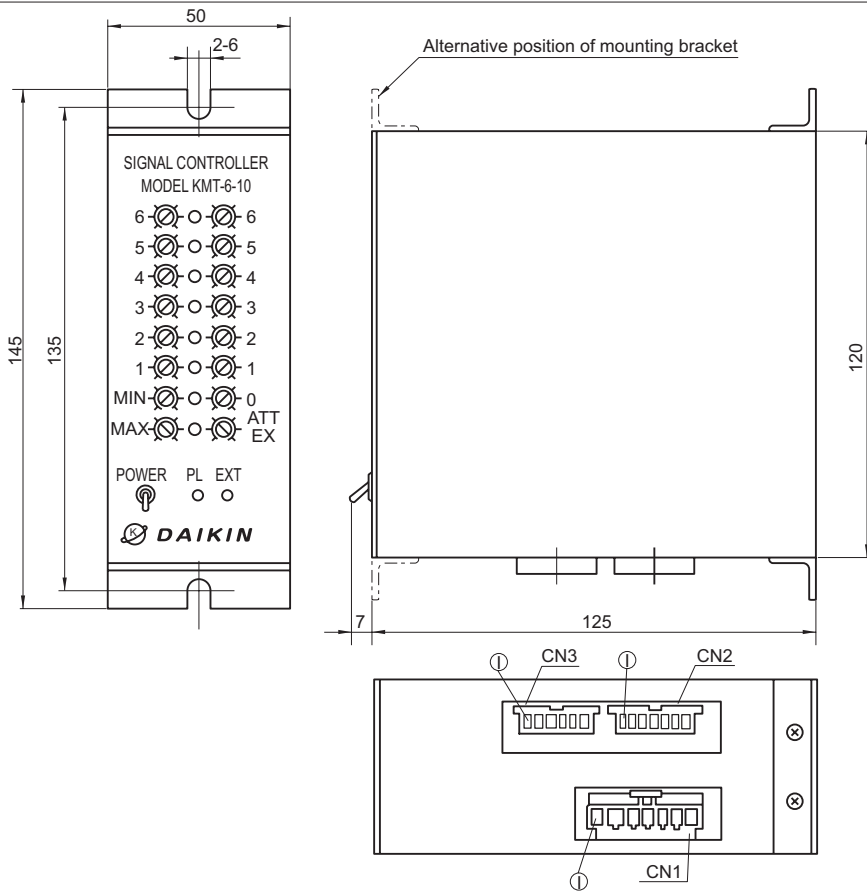
Note: *1 When operating this controller with external input voltages, switch the connection at JP1 to the EXT position on the connector or that at JP2 to the EXT position on the connector in the controller.

JP1: To be selected when operating only STEP1 with external input voltages

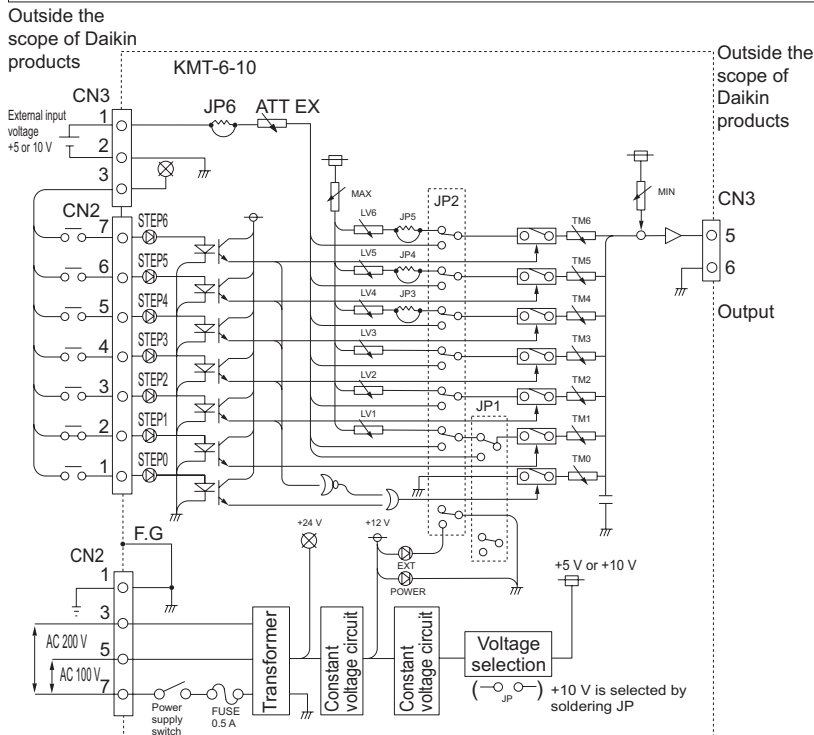
JP2: To be selected when operating STEP1 to STEP6 with external input voltages

For details, see the circuit configuration diagram on Page J-91.

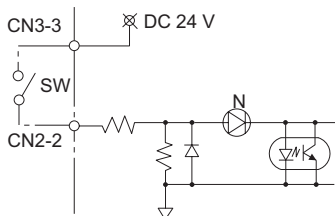
External dimension diagram



Circuit configuration diagram



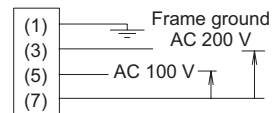
Internal channel selection circuit (example of CNL1)



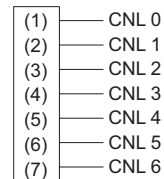
Note: The DC 24 V common power supply for channel selection is not applicable to any other purpose.

Wiring diagram

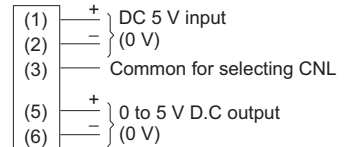
CN1 (For power supply)



CN2 (For channel selection)



CN3 (Voltage input and output)



Note: To select a channel, connect the channel common and the CNL terminal of the relevant channel.

(Example: When channel 1 selected)

