

Contact Details

Before using the product, please check the guide pages at the front of this catalog.

Internet

<http://www.daikinpmc.com/en/>

For latest information, PDF catalogs and operation manuals

DIN Terminal Type Driver for KSP-G02



Features

- Optimize the control of direct type solenoid operated proportional directional control valve KSP-G02.
- The constant current characteristics suppress the power supply voltage fluctuation, and the output current fluctuation due to temperature rise of the solenoid, to almost zero.
- The output current waveforms (dither frequency, amplitude) are set to optimize the hysteresis and resolution of solenoid operated proportional control valves.
- The PWM (pulse width modulation) control of electrical current minimizes heat generation by the driver.
- The response time adjustment function that smoothly changes output current in response to stepped changes in command inputs enables shockless change of hydraulic output.

Nomenclature

ZDN - 2 - 10 - ※

1 2 3

1 Model No.

ZDN-2: DIN terminal type driver for KSP-G02

2 Design No. (The design No. is subject to change)

3 Casing color

A: Gray
B: Black

Specifications

Power supply voltage	DC 24 V (Capacity of 1.2 A minimum)
Permissible voltage fluctuation	-20 to +20%
Applied load	Proportional solenoid (DC 12 V)
Command input	DC 0 to 5 V
Output current	0 to 1400 mA
Power consumption	22 VA maximum
Dither	Factory adjusted
Response time adjustment range	0.1 to 1.5 seconds (at maximum output)
Operating ambient temperature	-10 to 50°C
Operating ambient humidity	10 to 90%RH
Vibration resistance	6.8 G (66.6 m/sec ²), Frequency: 11.7 to 200 Hz 1 cycle: 15 minutes, 3 directions: 2h each
Mass	0.3 kg

Handling

- Do not change the DITF trimmer setting because it is factory adjusted.
- When mounting this driver on a KSP valve, tighten the mounting screws (M3 × 40) at a tightening torque of 0.5 to 0.6 N·m {5 to 6 kgf·cm}.
- The TIME trimmer to adjust the response time during transient time applies to both the rising and falling edges. (Individual settings are not possible.)

Contact Details

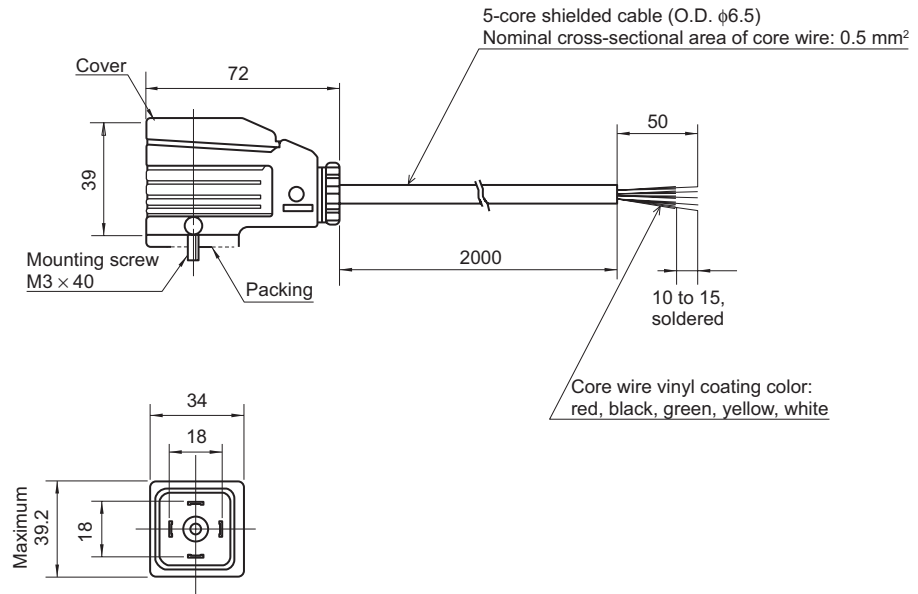
Before using the product, please check the guide pages at the front of this catalog.

Internet

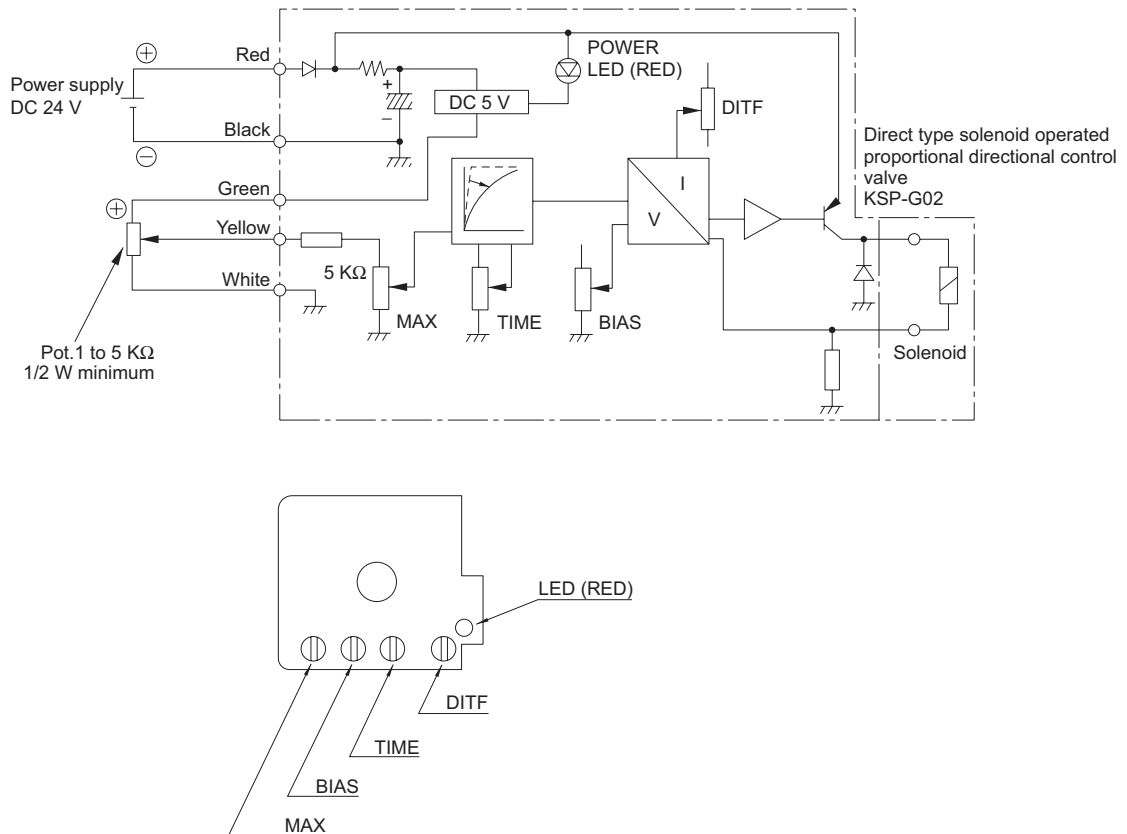
<http://www.daikinpmc.com/en/>

For latest information, PDF catalogs and operation manuals

External dimension diagram



Circuit configuration diagram



Adjusting trimmer positions

Top view with the cover removed (front face of the mounting board)