

Contact Details

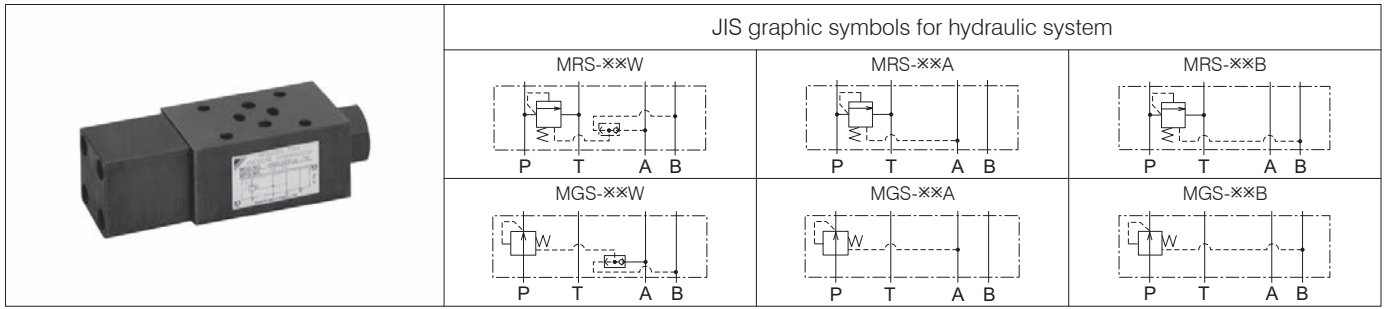
Before using the product, please check the guide pages at the front of this catalog.

Internet

<http://www.daikinpmc.com/en/>

For latest information, PDF catalogs and operation manuals

Stacking Type Pressure Compensation Valve (for KSP Valves)



Features

- Enables proportional flow rate control with pressure compensation by combination with a KSP valve.

Nomenclature

• Bypass type pressure compensation valve

MRS - **02** ***** - ********** - **70**

1

2

3

4

5

• Reduction type pressure compensation valve

MGS - ********** ***** - ********** - **70**

1

2

3

4

5

1 Model No.

MRS: Modular stacking bypass type pressure compensation valve

MGS: Modular stacking reduction type pressure compensation valve

2 Nominal diameter

02: 1/4

03: 3/8 <Applicable to the model designation MGS>

3 Control port

W: Port A/B

A: Port A

B: Port B

4 Differential pressure code

05: Differential pressure P = 0.5 MPa { 5 kgf/cm² }

10: Differential pressure P = 1 MPa { 10 kgf/cm² }

15: Differential pressure P = 1.5 MPa { 15 kgf/cm² } *1

5 Design No.

(The design No. is subject to change)

Note: *1 Differential pressure code "15" applies only to nominal diameter 02 (1/4).

Specifications

Model code	Nominal diameter	Maximum operating pressure MPa {kgf/cm ² }	Maximum flow rate L/min	Mass kg	
				(1)	(2)
MRS-02W -**x-70	1/4	35 {350}	35	1.8	2
MRS-02A (B) -**x-70				1.6	1.8
MGS-02W -**x-70				1.8	2
MGS-02A (B) -**x-70				1.6	1.8
MGS-03W -**x-70	3/8		68	4	4.4
MGS-03A (B) -**x-70				3.9	4.3

Note: Mass (1) Differential pressure code 05

(2) Differential pressure code 10, 15

Contact Details

Before using the product, please check the guide pages at the front of this catalog.

Internet

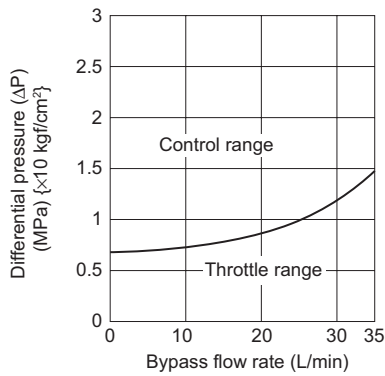
<http://www.daikinpmc.com/en/>

For latest information, PDF catalogs and operation manuals

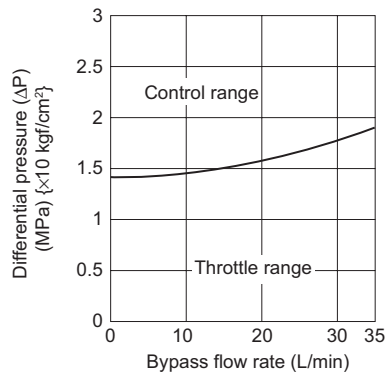
Performance curves (viscosity: 32 mm²/s {cSt})

Minimum operating pressure characteristics (ΔP = Pressure at port P – Load pressure)

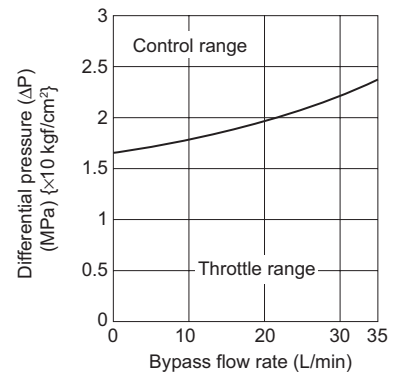
MRS-02*-05



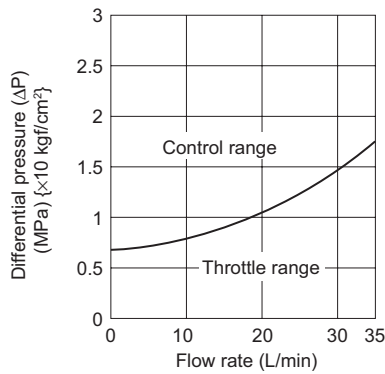
MRS-02*-10



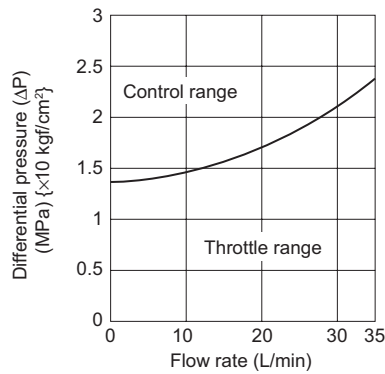
MRS-02*-15



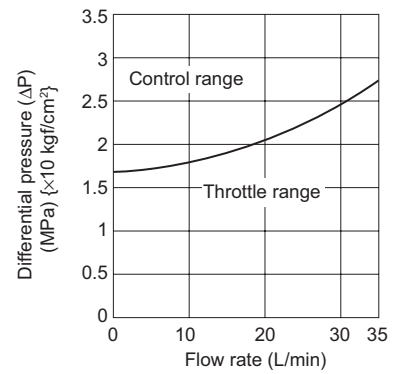
MGS-02*-05



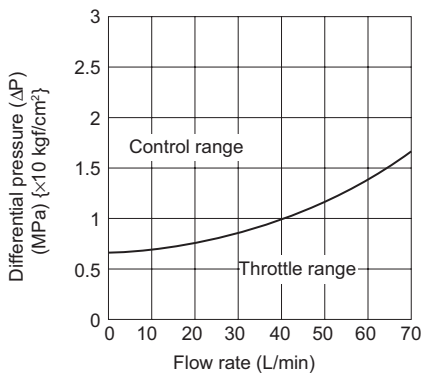
MGS-02*-10



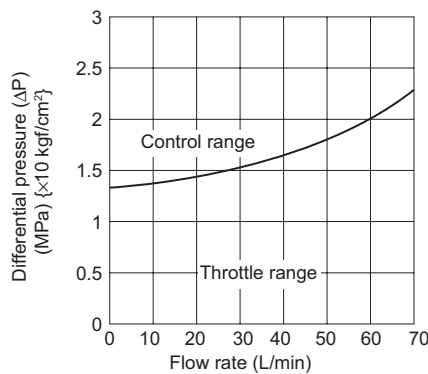
MGS-02*-15



MGS-03W-05

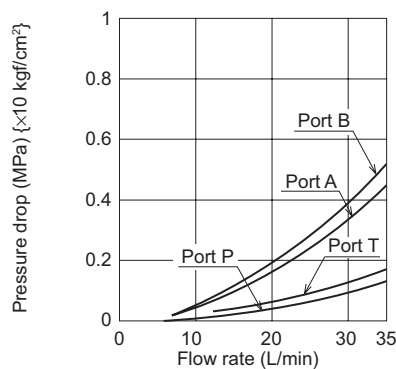


MGS-03W-10

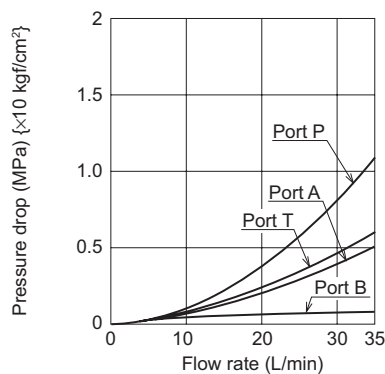


Pressure drop characteristics

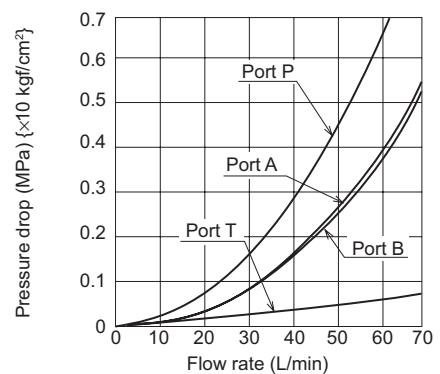
MRS-02*-**



MGS-02*-**



MGS-03W-**



Contact Details

Before using the product, please check the guide pages at the front of this catalog.

Internet

<http://www.daikinpmc.com/en/>

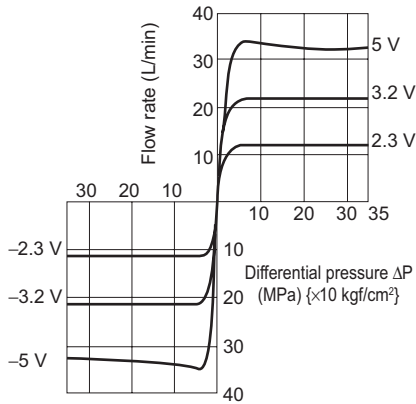
For latest information, PDF catalogs and operation manuals

Performance curves (viscosity: 32 mm²/s {cSt})

Differential pressure - Flow rate characteristics (ΔP = Pressure at port P – Load pressure)

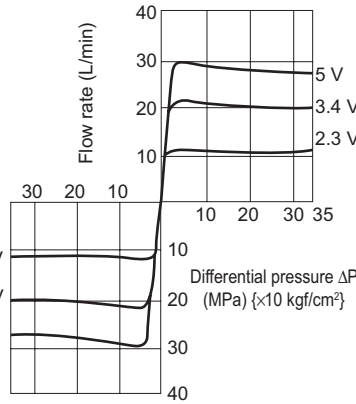
MRS-02W-10

KSP-G02-2C3-10-M



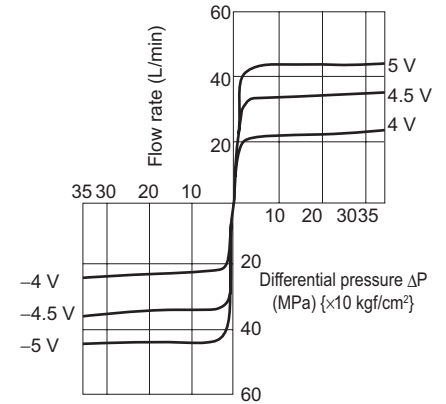
MGS-02W-10

KSP-G02-2C3-10-M



MGS-03W-10

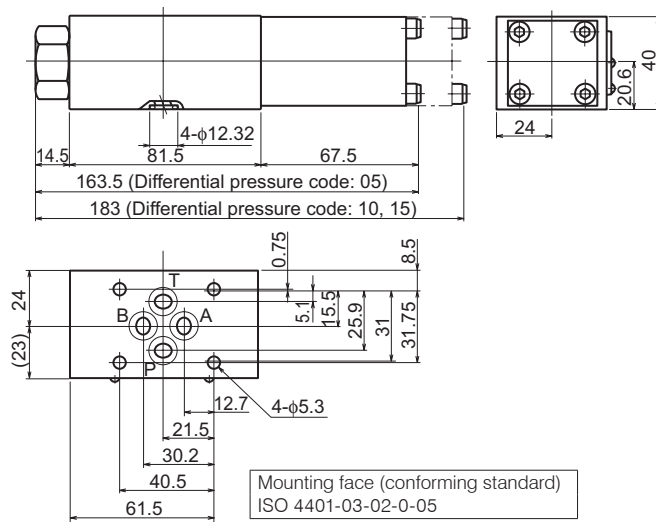
KSP-G03-2C4-10



External dimension diagram

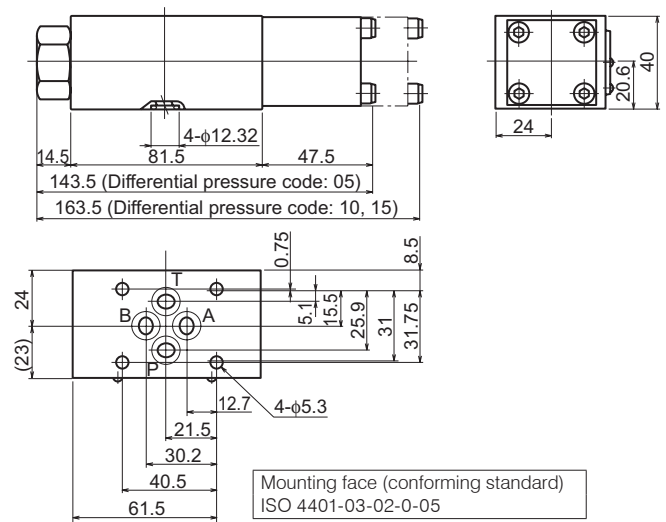
MRS-02W

MGS-02W

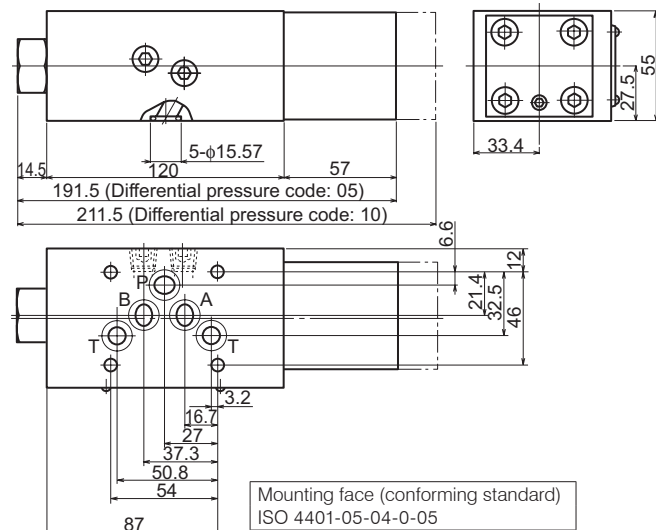


MRS-02A(B)

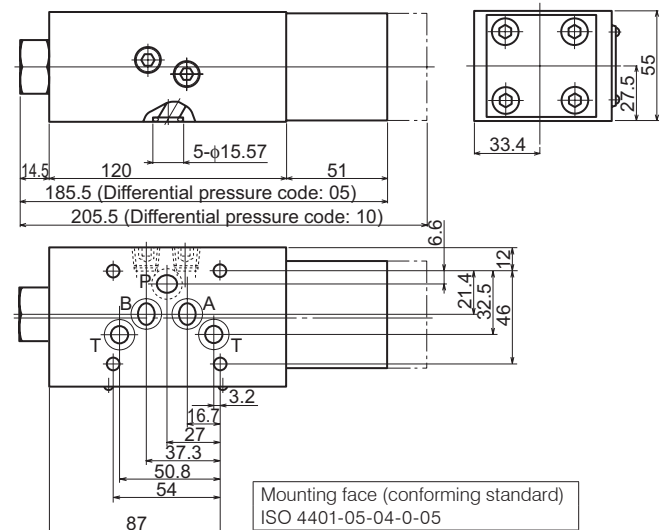
MGS-02A(B)



MGS-03W



MGS-03A(B)



Contact Details

Before using the product, please check the guide pages at the front of this catalog.

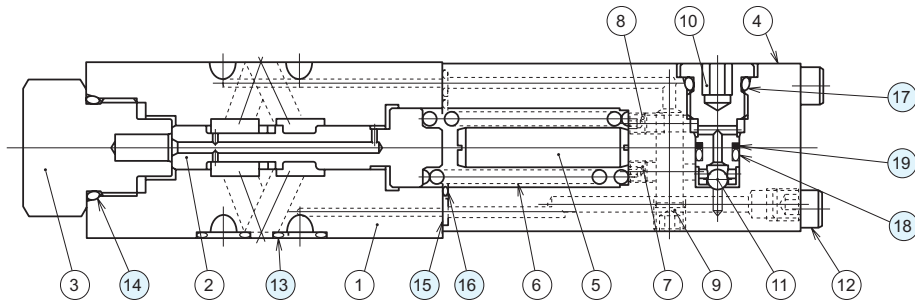
Internet

<http://www.daikinpmc.com/en/>

For latest information, PDF catalogs and operation manuals

Sectional structural diagram

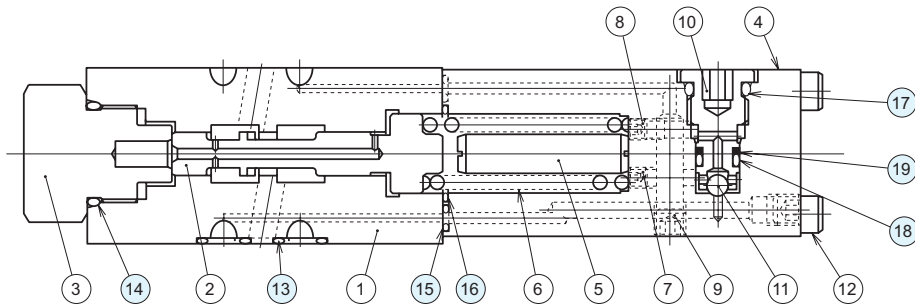
MRS-02W



Sealing part table

Part No.	Name	Quantity	Part specifications
13	O-ring	4	AS568-012 (NBR, Hs90)
14	O-ring	1	JIS B 2401 1B P20
15	O-ring	2	AS568-006 (NBR, Hs90)
16	O-ring	1	AS568-018 (NBR, Hs90)
17	O-ring	1	JIS B 2401 1B P11
18	O-ring	1	JIS B 2401 1B P7
19	Backup ring	1	JIS B 2407 Bias cut P7

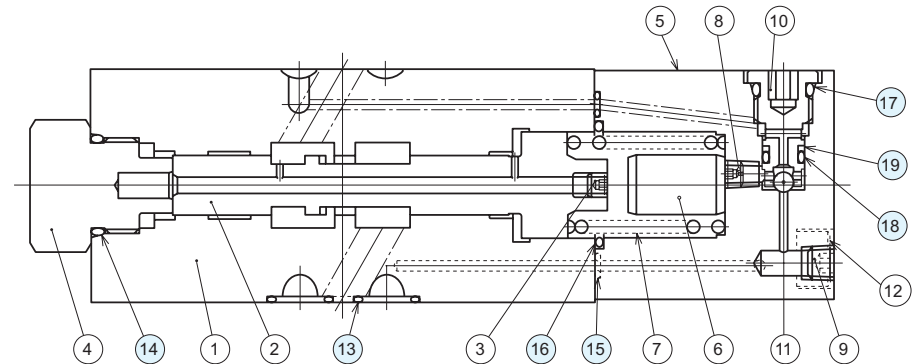
MGS-02W



Sealing part table

Part No.	Name	Quantity	Part specifications
13	O-ring	4	AS568-012 (NBR, Hs90)
14	O-ring	1	JIS B 2401 1B P20
15	O-ring	2	AS568-006 (NBR, Hs90)
16	O-ring	1	AS568-018 (NBR, Hs90)
17	O-ring	1	JIS B 2401 1B P11
18	O-ring	1	JIS B 2401 1B P7
19	Backup ring	1	JIS B 2407 Bias cut P7

MGS-03W



Sealing part table

Part No.	Name	Quantity	Part specifications
13	O-ring	5	AS568-014 (NBR, Hs90)
14	O-ring	1	JIS B 2401 1B P20
15	O-ring	2	AS568-006 (NBR, Hs90)
16	O-ring	1	AS568-120 (NBR, Hs90)
17	O-ring	1	JIS B 2401 1B P11
18	O-ring	1	JIS B 2401 1B P7
19	Backup ring	1	JIS B 2407 Bias cut P7