

## Contact Details

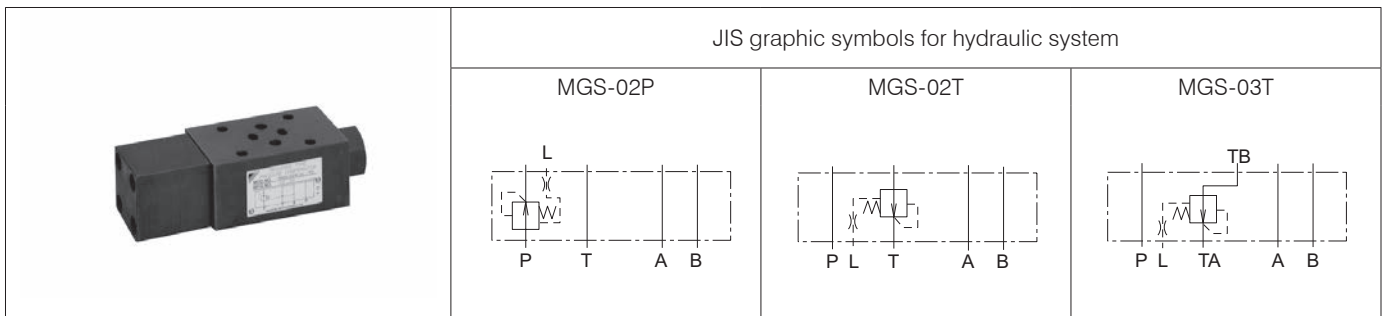
Before using the product, please check the guide pages at the front of this catalog.

Internet

<http://www.daikinpmc.com/en/>

For latest information, PDF catalogs and operation manuals

# Stacking Reduction Type Pressure Compensation Valve (for LEMS)



## Features

- Combining the valve with a LEMS valve enables proportional flow rate control with reduction type pressure compensation.

## Nomenclature

### Nominal diameter 02

**MGS - 02** \* - **20** - \* \*

1 2 3 4 5 6

### Nominal diameter 03

**MGS - 03 T** - **10** - \*

1 2 3 4 6

#### 1 Model No.

(Applicable fluids: petroleum-based hydraulic oil)

MGS: Modular stacking reduction type pressure compensation valve

#### 2 Nominal diameter

02: 1/4

03: 3/8

#### 3 Control port

P: Port P \*<sup>1</sup>

T: Port T

#### 4 Design No.

(The design No. is subject to change)

10: Nominal diameter 03 (3/8)

20: Nominal diameter 02 (1/4)

#### 5 Differential pressure control port \*<sup>2</sup>

No designation: P-L differential pressure control

A: P-A differential pressure control (without port L)

#### 6 Differential pressure code

No designation: Differential pressure of 0.6 MPa {6 kgf/cm<sup>2</sup>}

3: Differential pressure of 0.3 MPa {3 kgf/cm<sup>2</sup>}

8: Differential pressure of 0.8 MPa {8 kgf/cm<sup>2</sup>} \*<sup>3</sup>

Note: \*<sup>1</sup> Port P control applies only to nominal diameter 02 (1/4).

\*<sup>2</sup> The differential pressure control port code applies only to port P control.

\*<sup>3</sup> Differential pressure code "8" applies only to nominal diameter 02 (1/4).

## Specifications

Model code	Nominal diameter	Maximum operating pressure MPa {kgf/cm <sup>2</sup> }	Maximum flow rate L/min	Mass kg
MGS-02P-20	1/4	21 {210}	25	1.2
MGS-02T-20				
MGS-03T-10	3/8	16 {160}	50	3.4

# Contact Details

Before using the product, please check the guide pages at the front of this catalog.

Internet

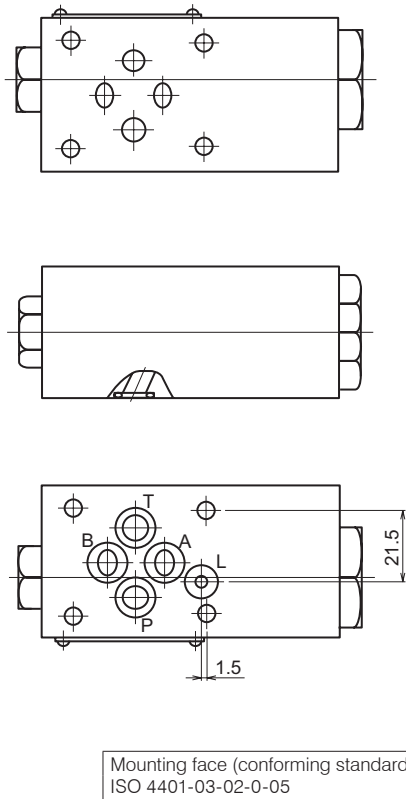
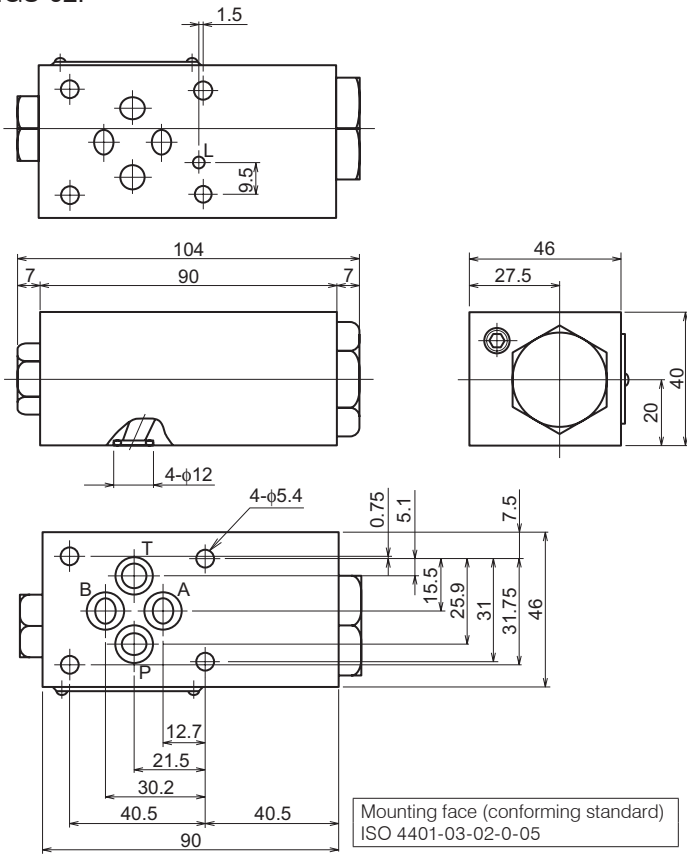
<http://www.daikinpmc.com/en/>

For latest information, PDF catalogs and operation manuals

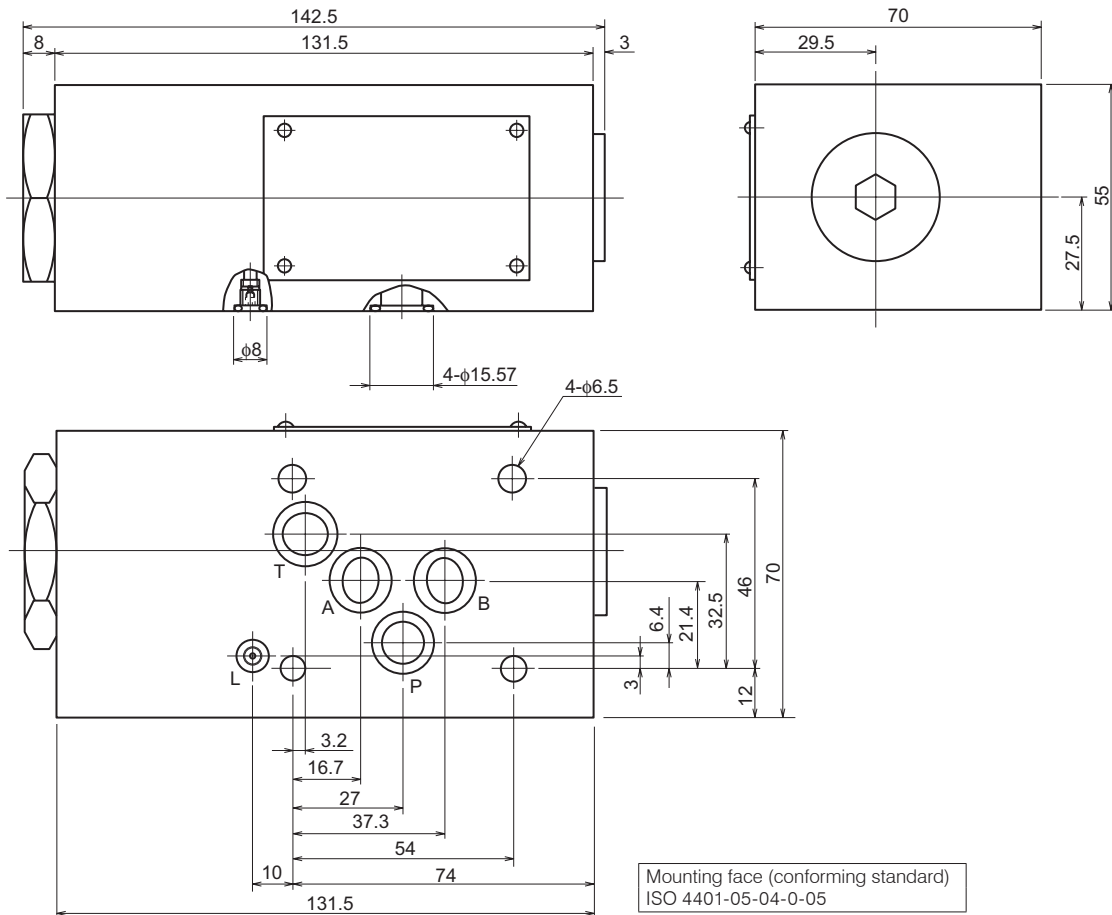
## External dimension diagram

MGS-02P

MGS-02T

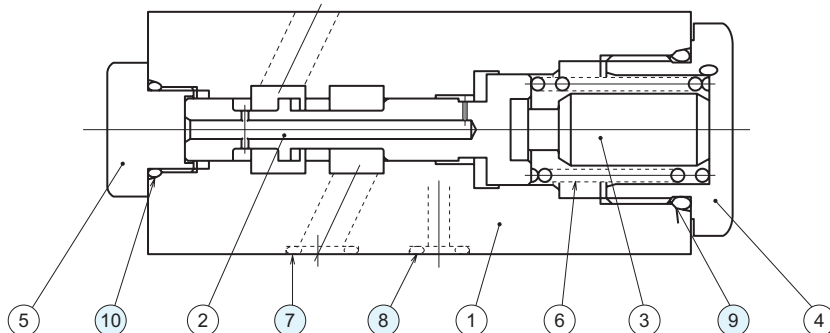


MGS-03T



## Sectional structural diagram

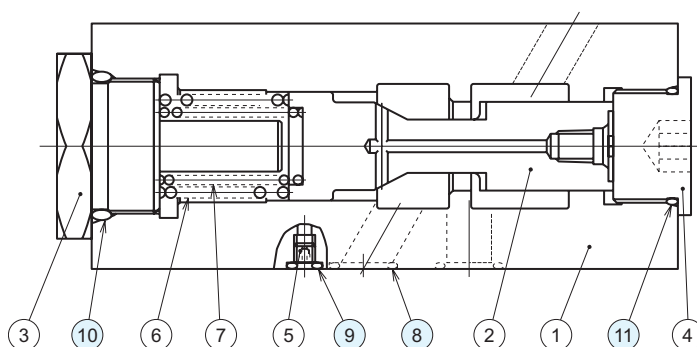
MGS-02\*



Sealing part table

Part No.	Name	Quantity	Part specifications	
			MGS-02P-20	MGS-02T-20
7	O-ring	4	JIS B 2401 1B P9	JIS B 2401 1B P9
8	O-ring	1	-	JIS B 2401 1B P7
9	O-ring	1	JIS B 2401 1B P22	JIS B 2401 1B P22
10	O-ring	1	AS568-014 (NBR, Hs90)	AS568-014 (NBR, Hs90)

MGS-03T



Sealing part table

Part No.	Name	Quantity	Part specifications
8	O-ring	4	AS568-014 (NBR, Hs90)
9	O-ring	1	JIS B 2401 1B P5
10	O-ring	1	JIS B 2401 1B P28
11	O-ring	1	AS568-021 (NBR, Hs90)