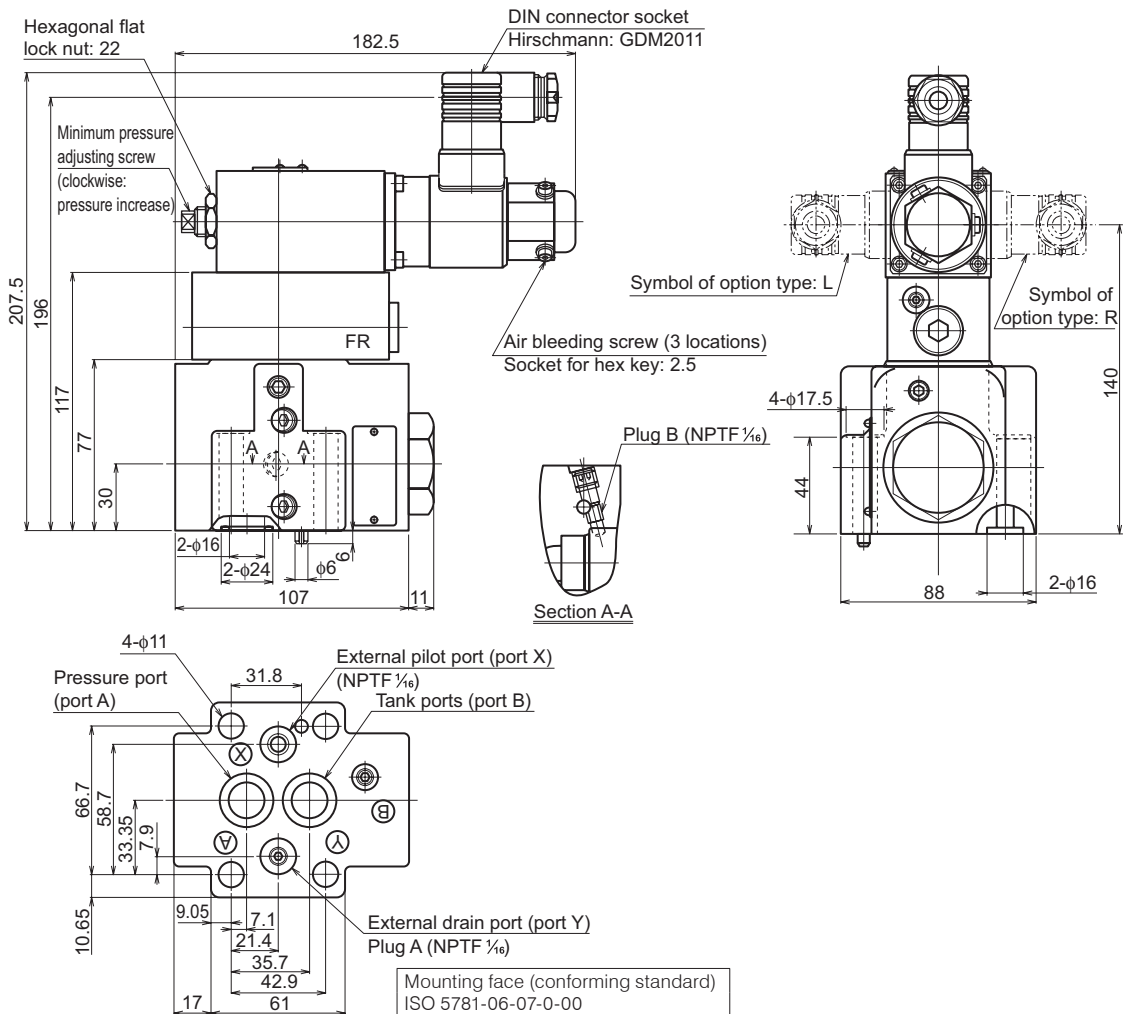


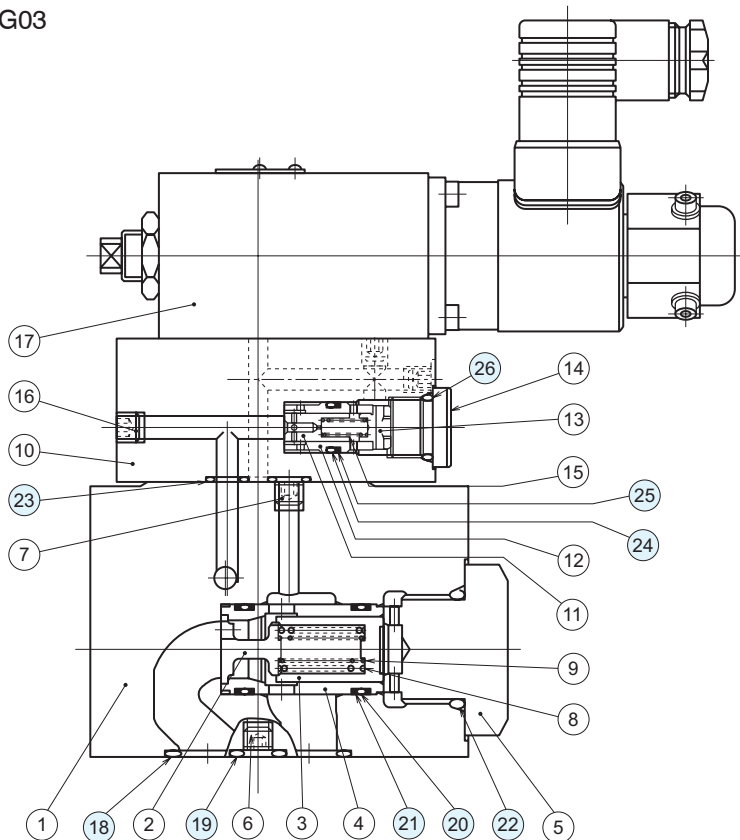
**External dimension diagram**

C2RLP-G03



**Sectional structural diagram**

C2RLP-G03



**Sealing part table**

Part No.	Name	Quantity	Part specifications
18	O-ring	2	JIS B 2401 1B P20
19	O-ring	2	JIS B 2401 1B P12
20	O-ring	2	AS568-020 (NBR, Hs90)
21	Backup ring	4	Spiral for AS568-020
22	O-ring	1	AS568-215 (NBR, Hs90)
23	O-ring	4	JIS B 2401 1B P9
24	O-ring	1	AS568-013 (NBR, Hs90)
25	Backup ring	1	Bias cut for AS568-013
26	O-ring	1	JIS B 2401 1B P14